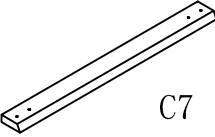
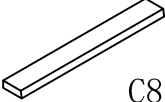
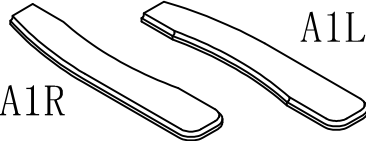

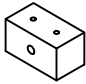
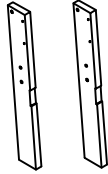
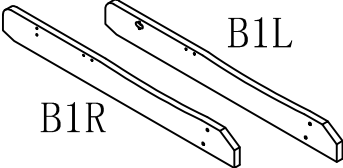
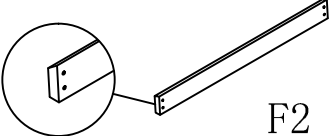
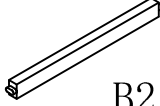

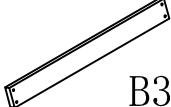

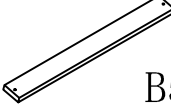

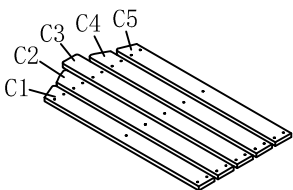



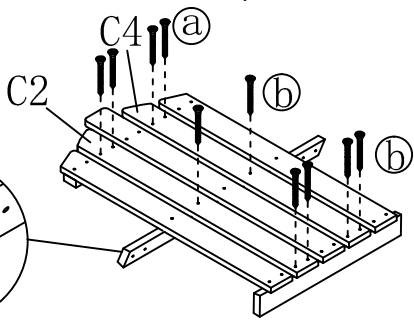
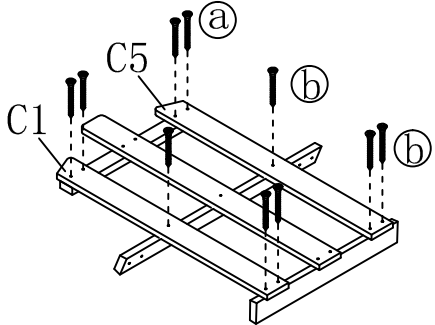
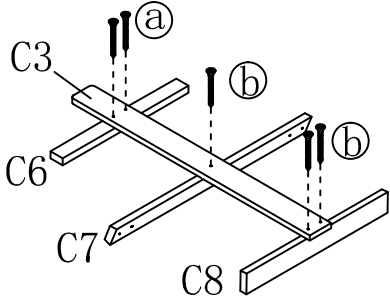
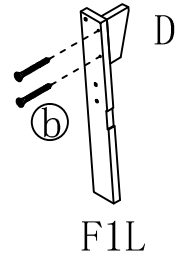
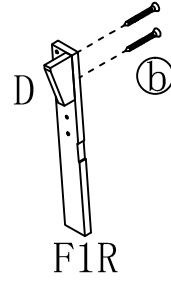
 C6		1PC		
	 C7		1PC		
	 C8		1PC		
 A1R A1L	2PCS		 D	2PCS	
 A2	2PCS		 F1R F1L	2PCS	
 B1R B1L	2PCS		 F2	1PC	
 B2	1PC		a	 3.5*35	36PCS
 B3	1PC		b	 3.5*40	27PCS
 B5	7PCS		c	 3.5*45	4PCS
 C1 C2 C3 C4 C5			d	 M6*50	4PCS
			e	 M6*60	2PCS
			f		1PC

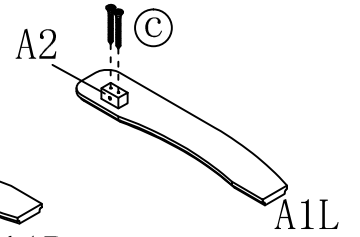
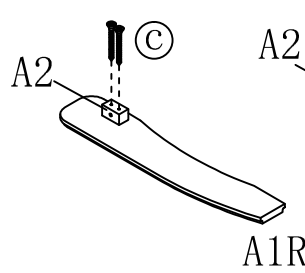
1



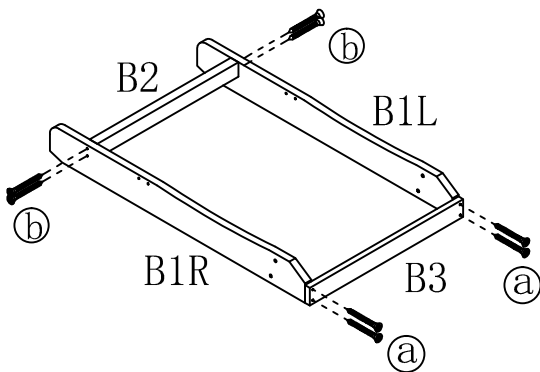
2



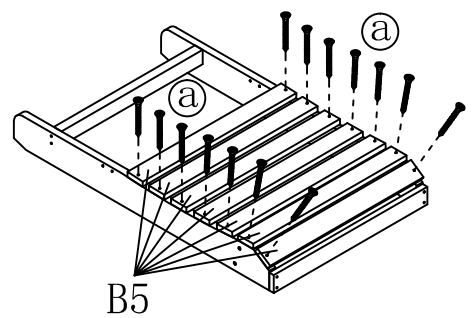
3



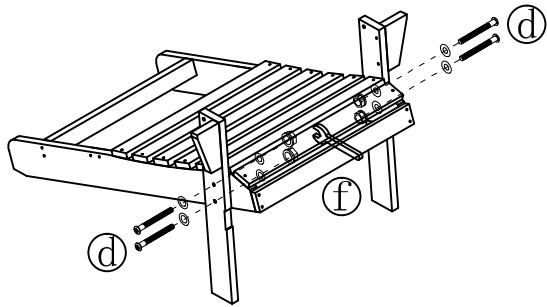
4



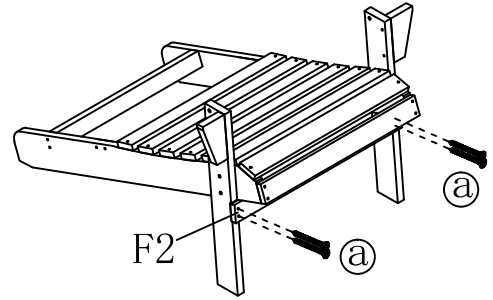
5



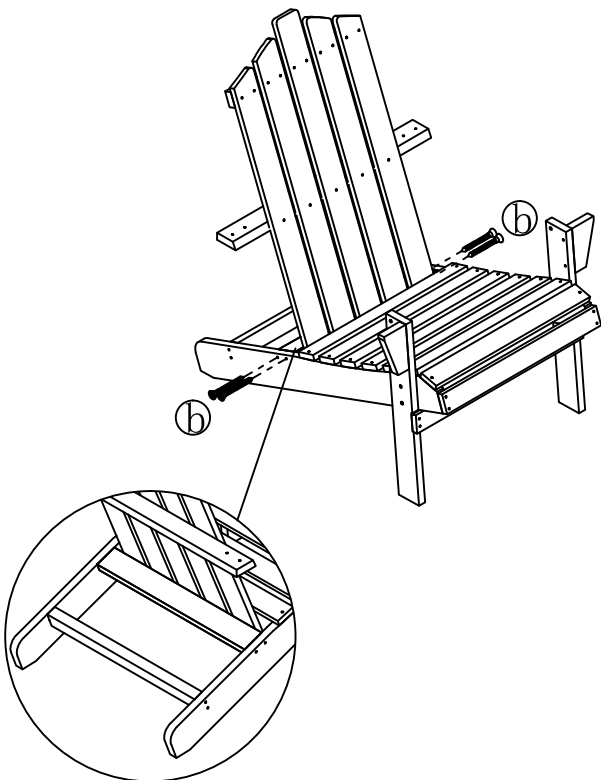
6



7



7



8

