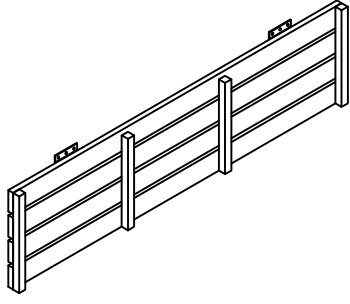
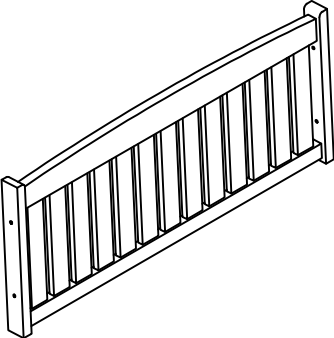
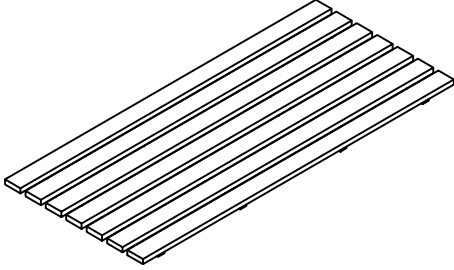
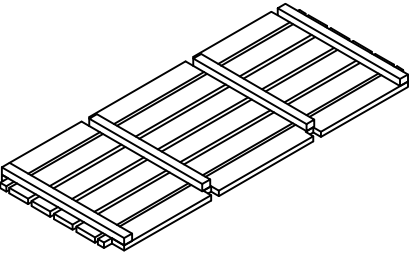
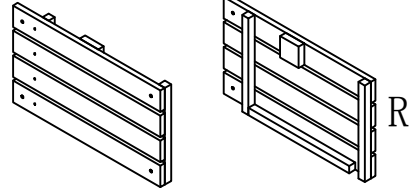
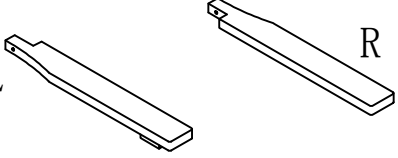


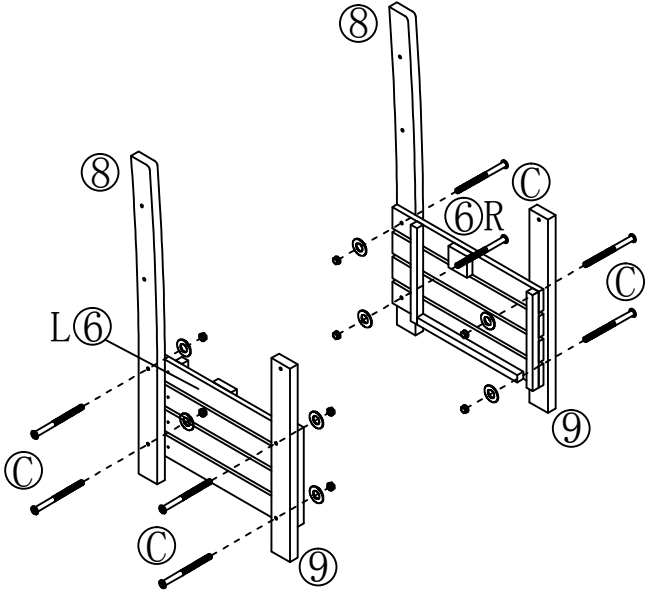
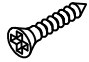
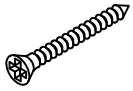



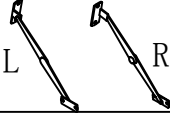

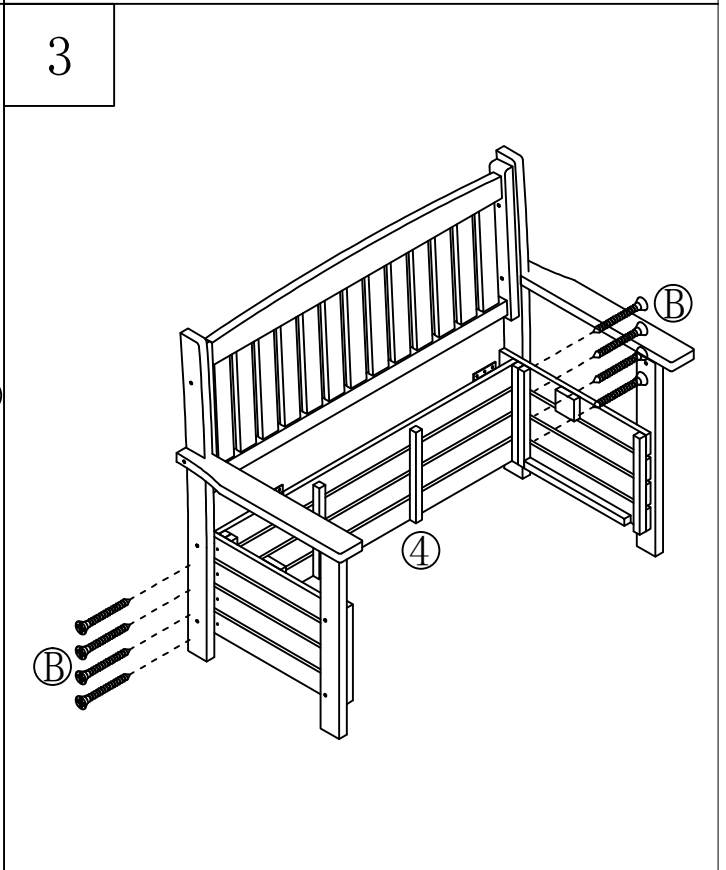
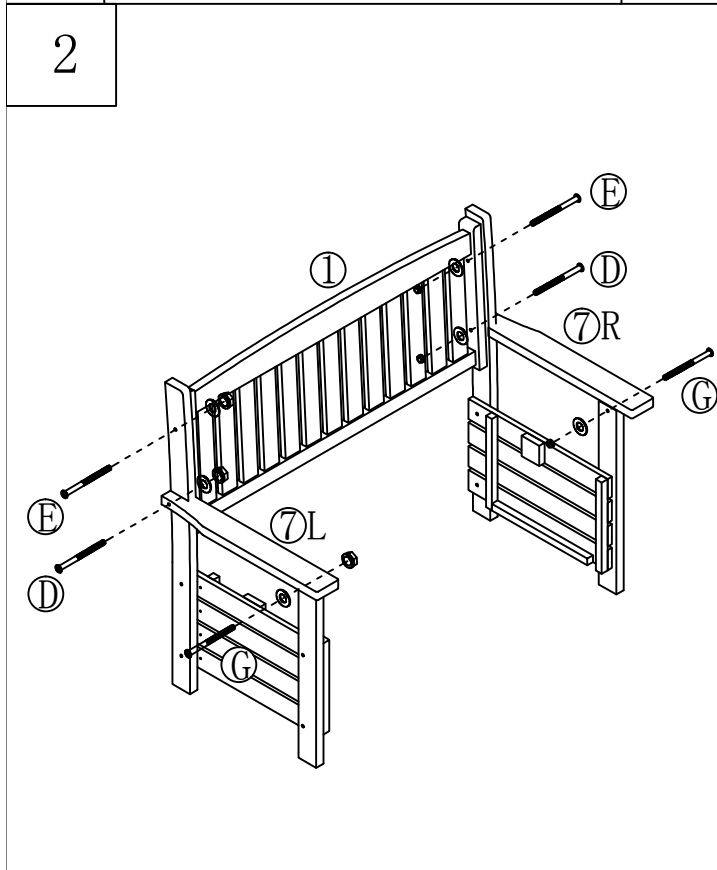
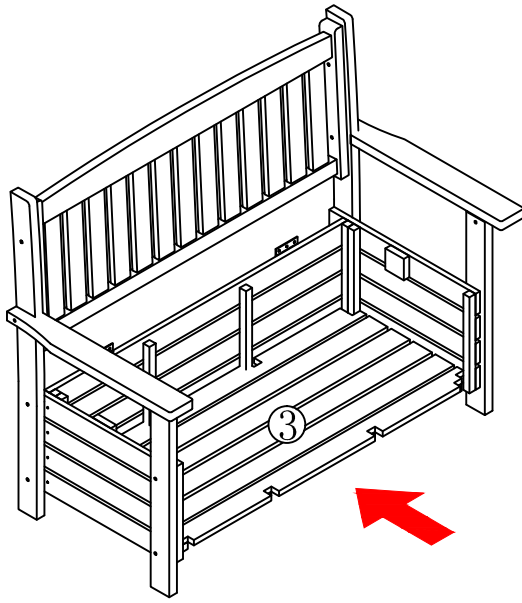
	4		1PC
1	1PC		1PC
2	1PC		1PC
3	1PC		1PC
6	2PCS		2PCS
7	2PCS		2PCS
8	2PCS		2PCS

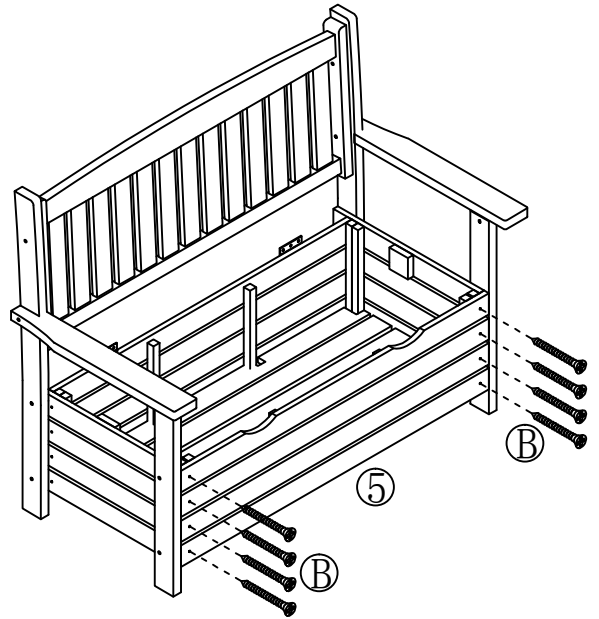
9		2PCS	1	
A	 3*12	14PCS		
B	 3.5*30	16PCS		
C	 M6*45	8PCS		
D	 M6*85	2PCS		
E	 M6*55	2PCS		
F	 L R	2PCS		
G	 M6*60	2PCS		



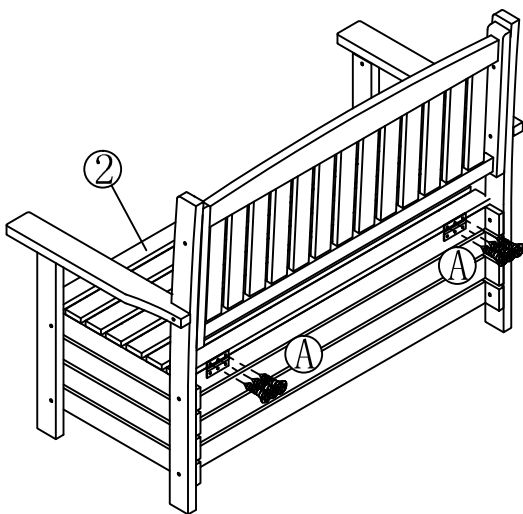
4



5



6



7

