

Have Your attention

(1) Do not tighten the screws until making sure all the screws are lining up with the holes, otherwise some screws may not line up with the holes.

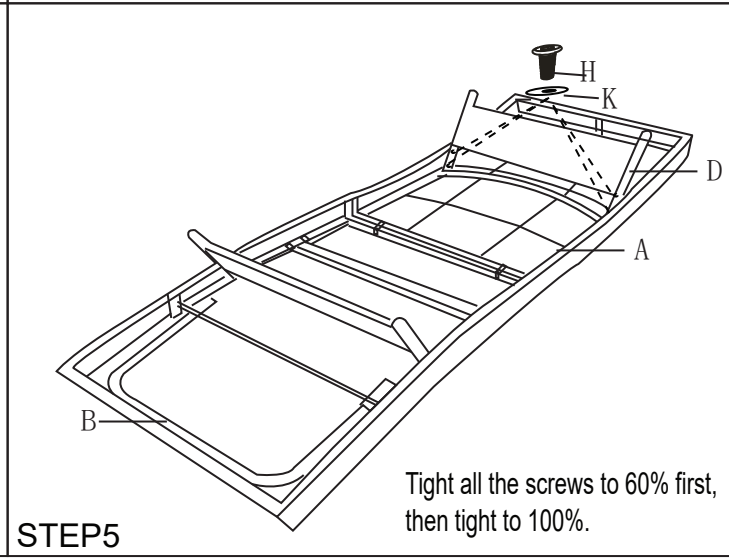
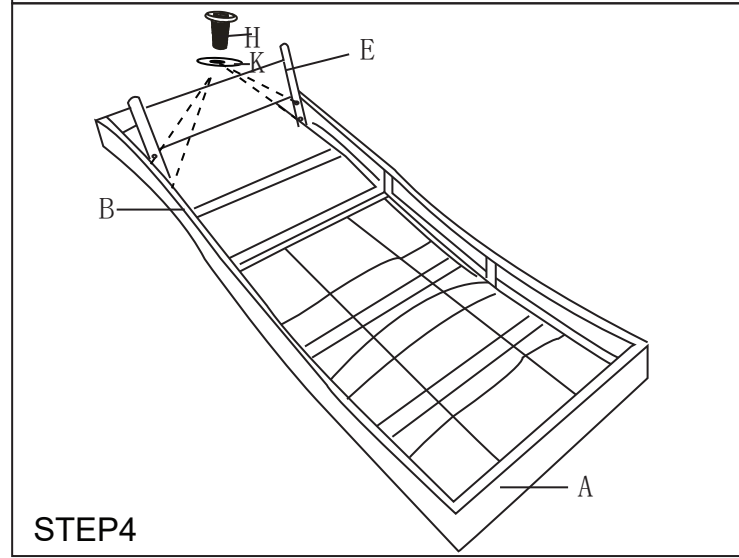
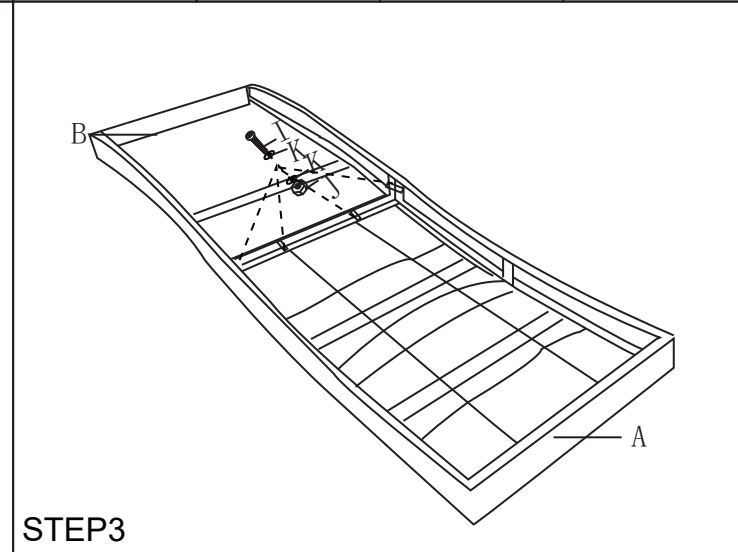
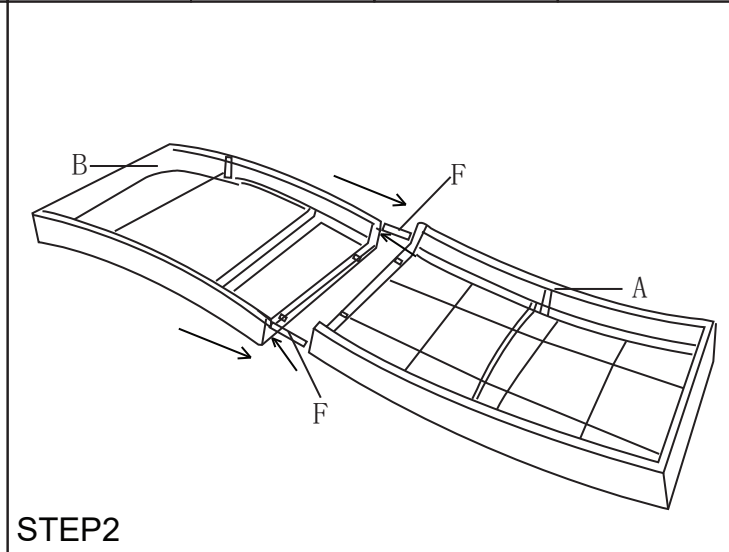
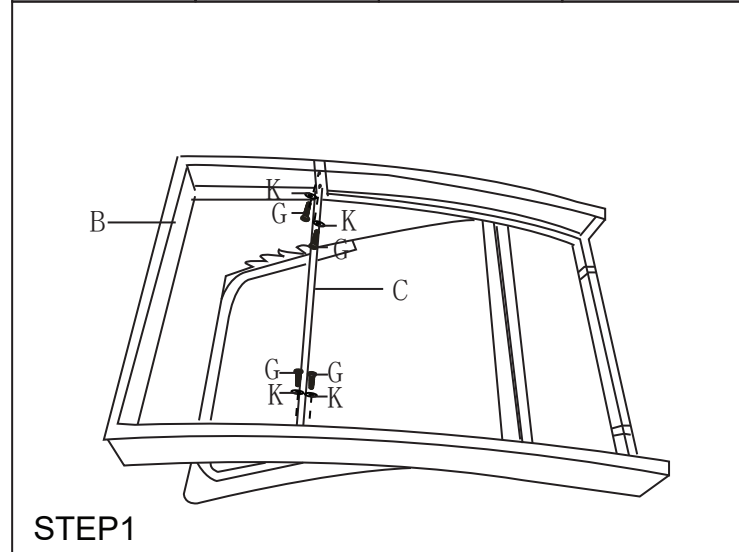
(2) If this situation occurs during assembly, please loosen the screws which have been tightened, make sure all the screws line up with all the holes, tighten a little and then tighten them in diagonal way again.

(3) If the product is uneven after installation, please loosen the screws, put strength on the frame, make sure all the legs are in the same level and then go on assembling it.



ASSEMBLY INSTRUCTION

| | | | | | | | | | | | | |
|---------|---------|---------|---------|---------|---------|--------------------|--------------------|--------------------|---------|----------|---------|---------|
| AX1 | BX1 | CX1 | DX1 | EX1 | FX2 | GX4 M6X20mm | HX8 M6X45mm | IX8 M6X65mm | JX4 | KX24 | MX1 | NX1 |
|---------|---------|---------|---------|---------|---------|--------------------|--------------------|--------------------|---------|----------|---------|---------|



Tight all the screws to 60% first, then tight to 100%.

