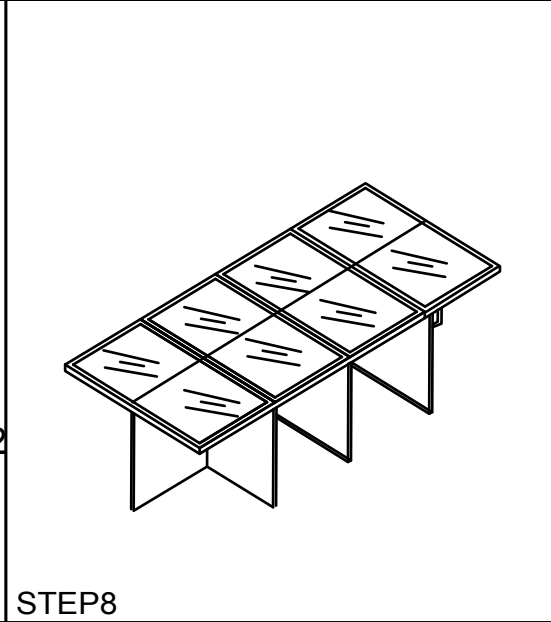
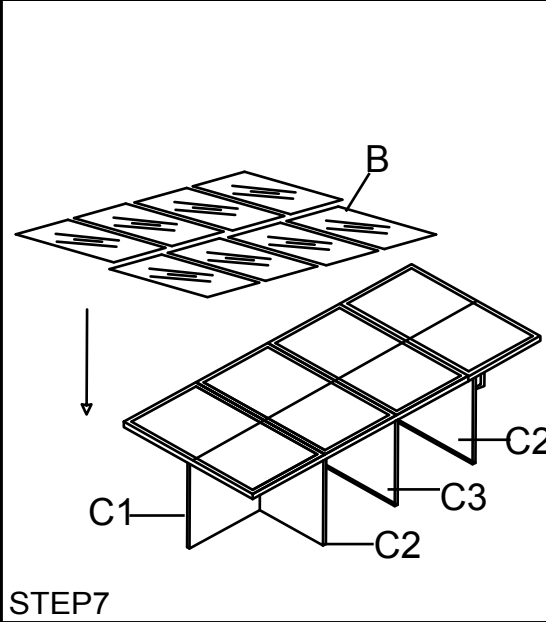
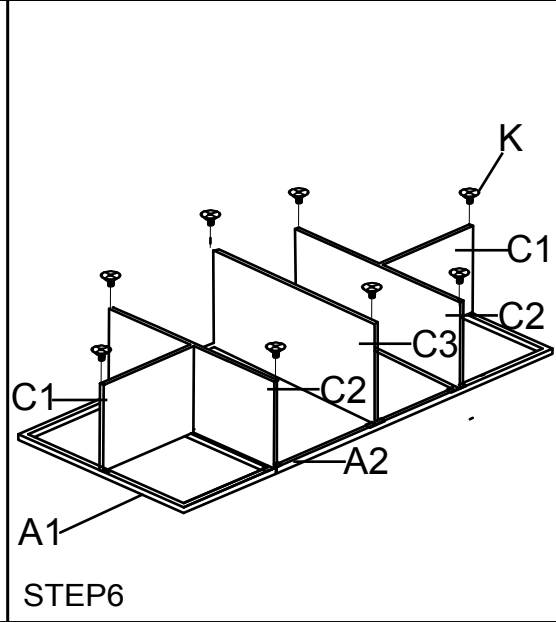
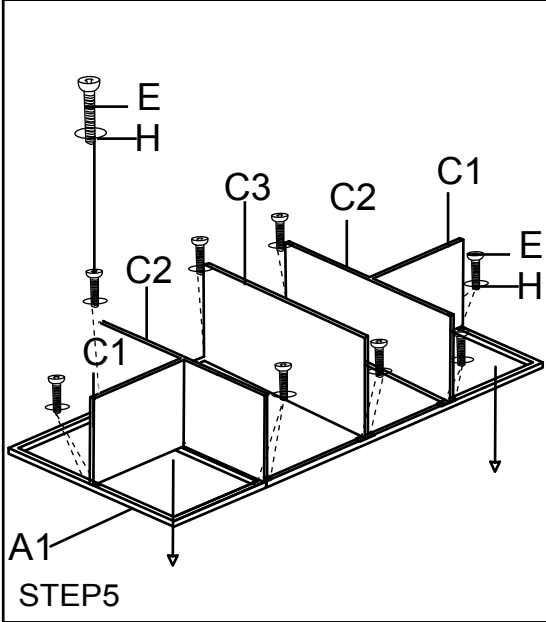
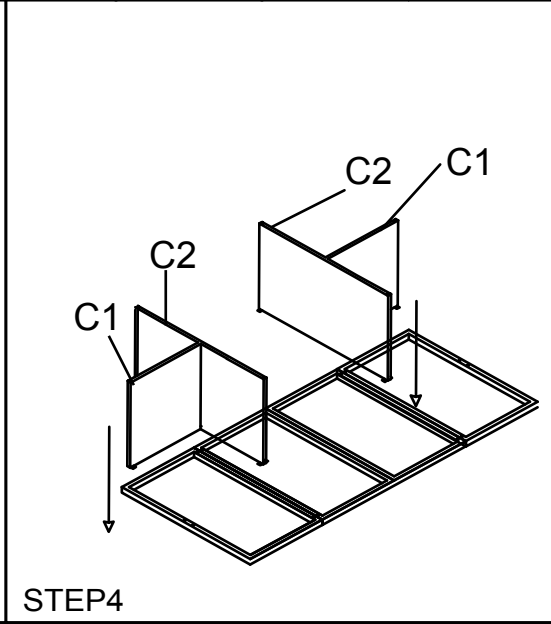
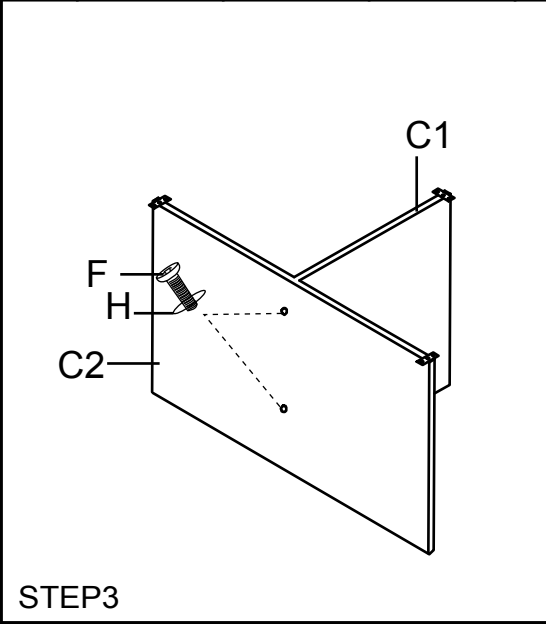
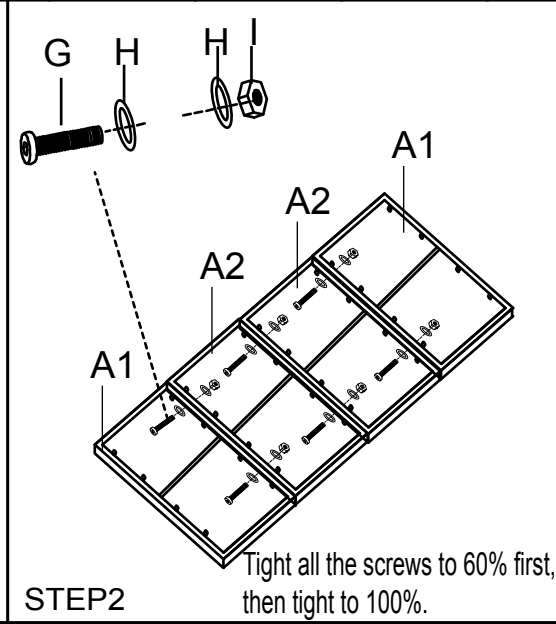
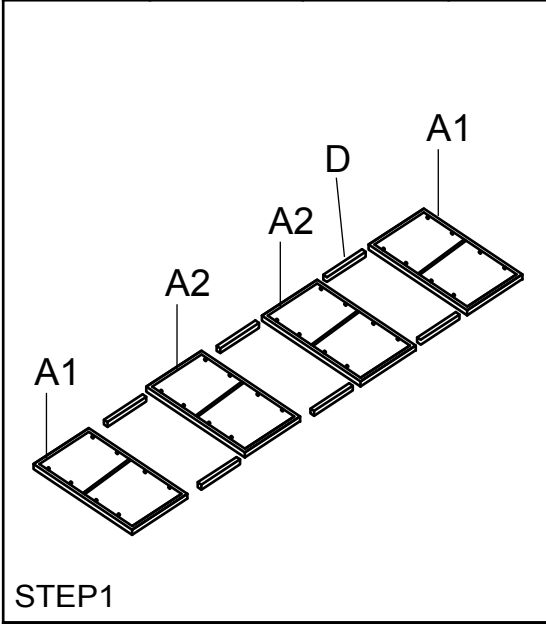


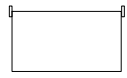
ASSEMBLY INSTRUCTION

| | | | | | | | | | | | | | | |
|------|------|-----|------|------|------|-----|------|-----|-----|------|-----|-----|-----|-----|
| A1X2 | A2X2 | BX8 | C1X2 | C2X2 | C3X1 | DX6 | EX16 | FX4 | GX6 | HX32 | IX6 | JX1 | KX8 | LX1 |
| | | | | | | | | | | | | | | |

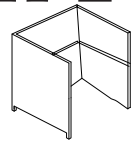


ASSEMBLY INSTRUCTION

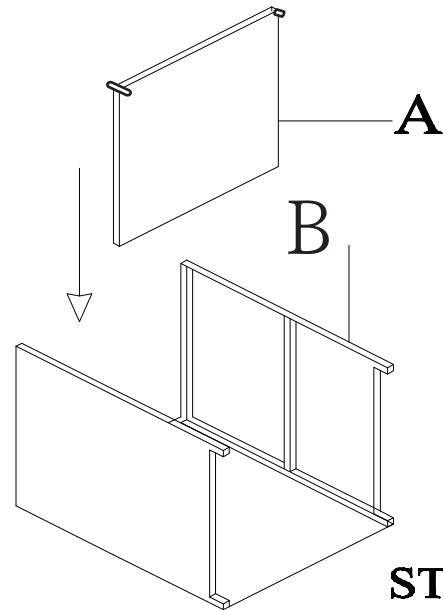
A X 1



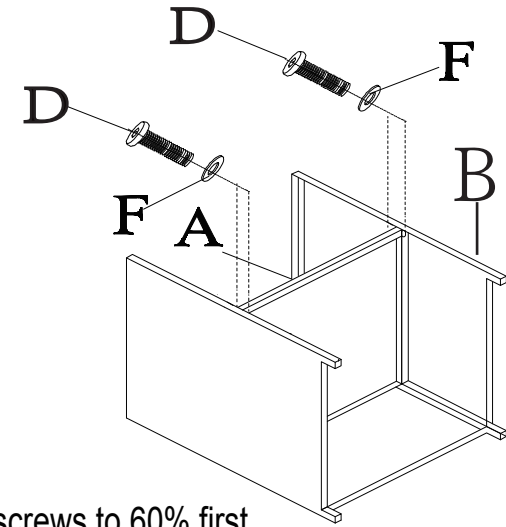
B X 1



C X 1



STEP1



Tight all the screws to 60% first,
then tight to 100%.

STEP2

D X 4



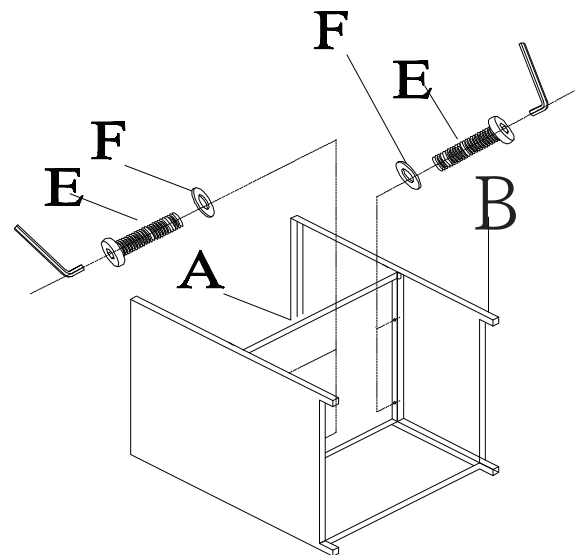
M6 X 25mm

E X 4

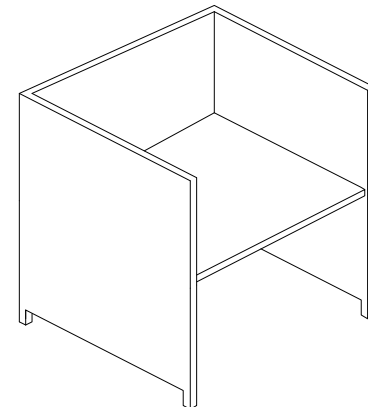


M6 X 45mm

F X 8



STEP3



STEP4