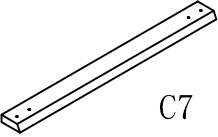
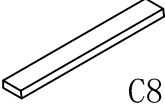
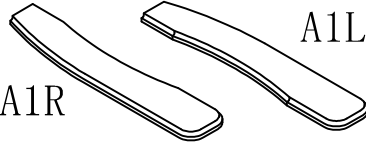

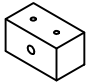
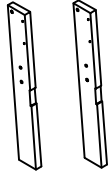
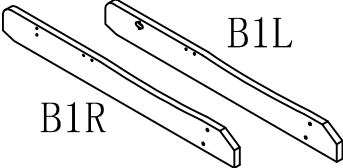
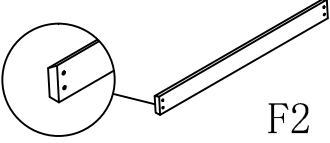
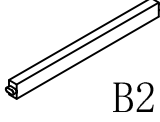

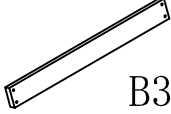


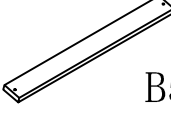


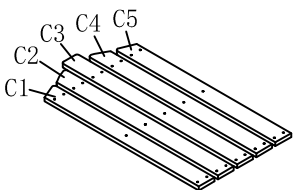

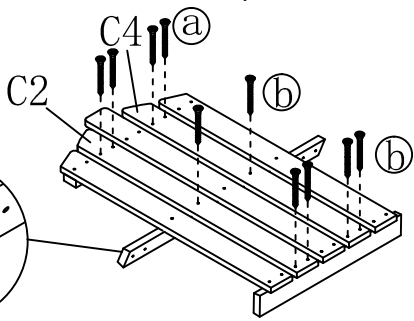
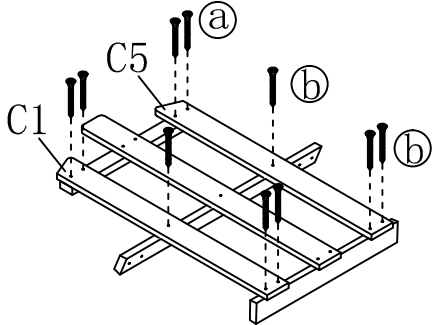
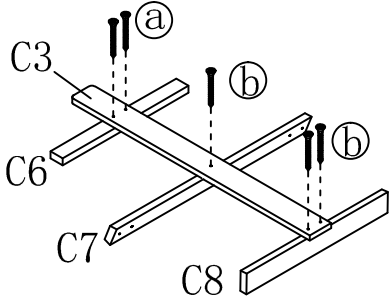
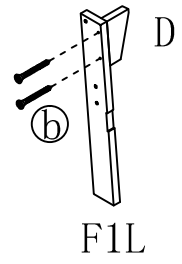
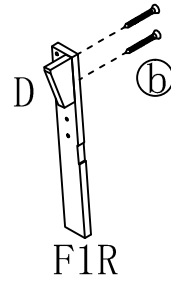
 C6 1PC	
	 C7 1PC	
	 C8 1PC	
 A1R A1L 2PCS	 D 2PCS	
 A2 2PCS	 F1R F1L 2PCS	
 B1R B1L 2PCS	 F2 1PC	
 B2 1PC	a	 3.5*35 36PCS
 B3 1PC	b	 3.5*40 27PCS
	c	 3.5*45 4PCS
 B5 7PCS	d	 M6*50 4PCS
	e	 M6*60 2PCS
 C1 C2 C3 C4 C5	f	 1PC

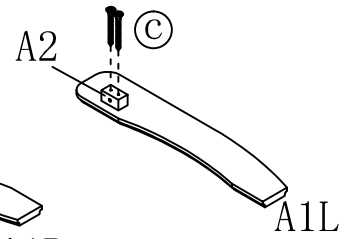
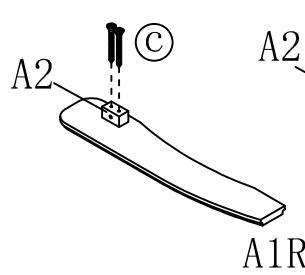
1



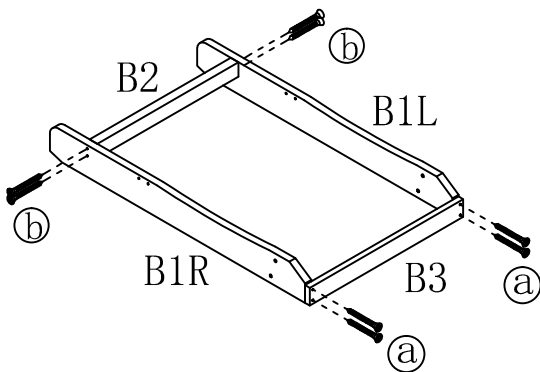
2



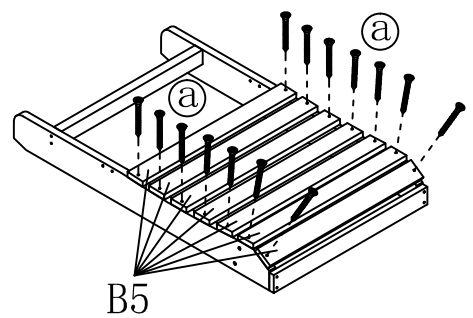
3



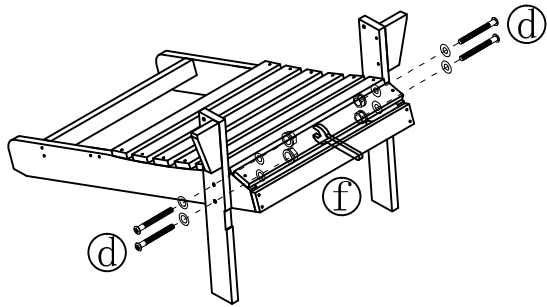
4



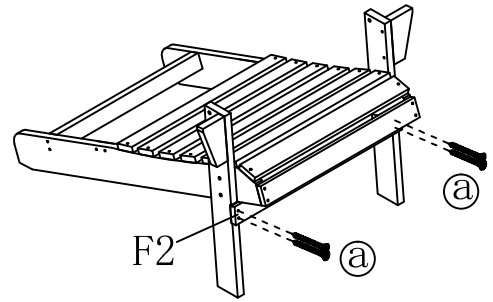
5



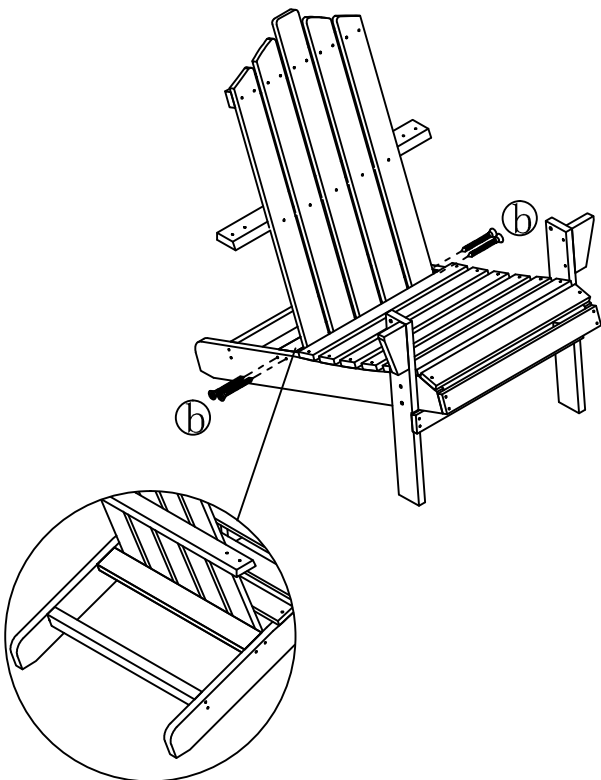
6



7



7



8

