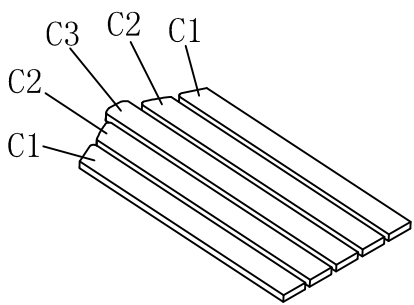
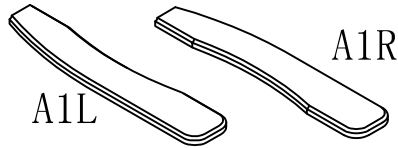
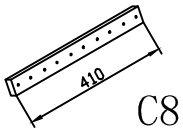
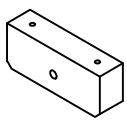
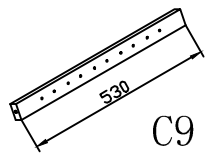
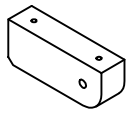
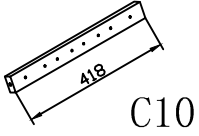
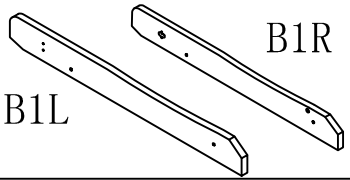
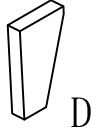
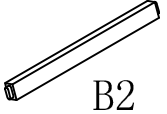
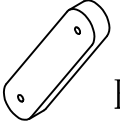
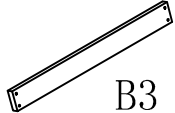
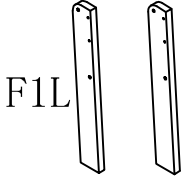
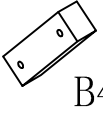
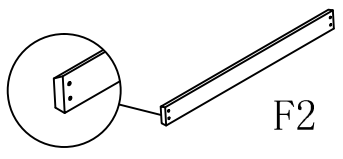

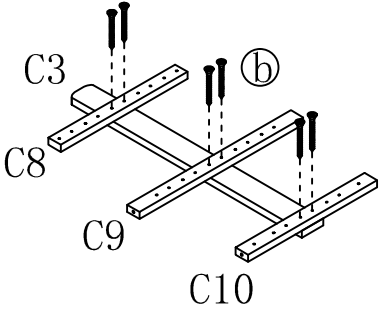
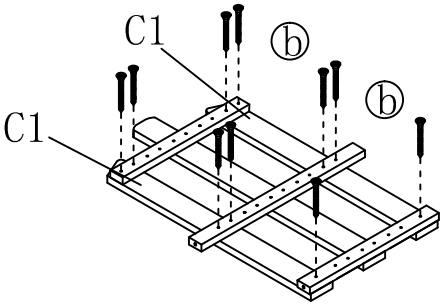
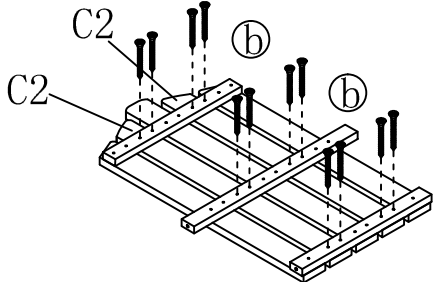




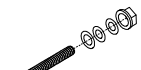
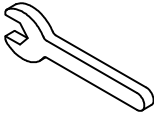
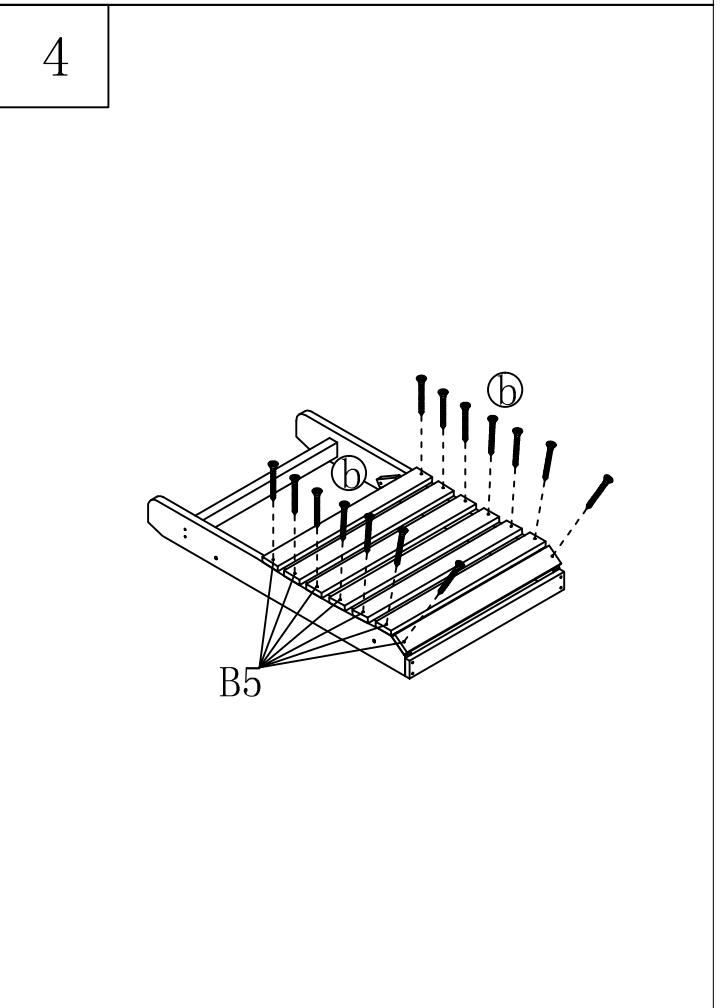
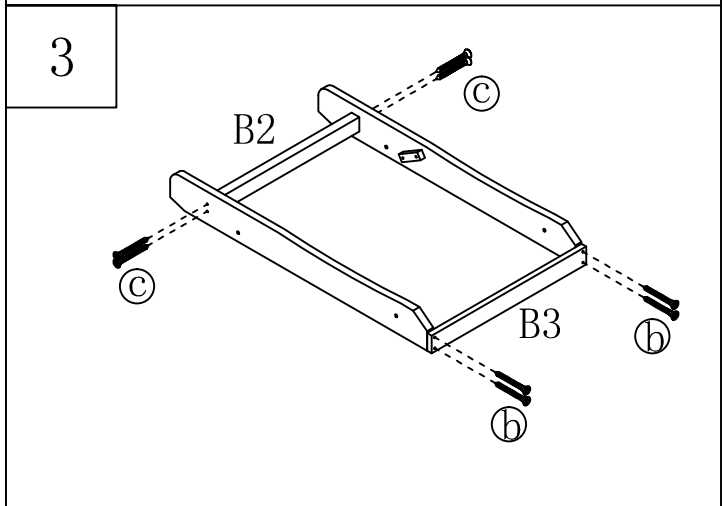
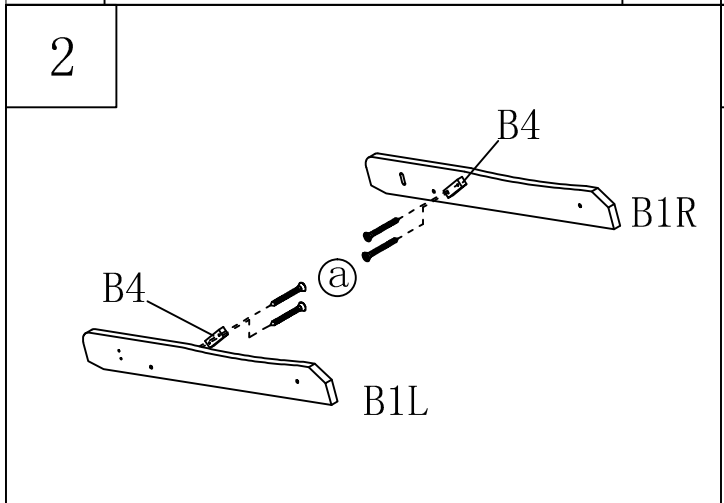
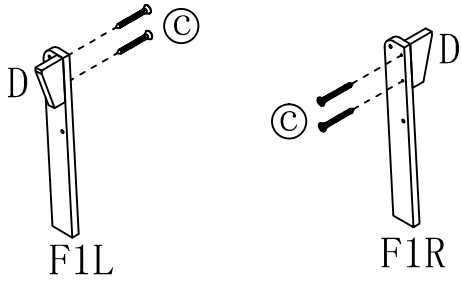
 B5	7PCS
		 C3 C2 C1 C2 C1	
 A1L A1R	2PCS	 C8 410	1PC
 A2	2PCS	 C9 530	1PC
 A3	2PCS	 C10 418	1PC
 B1L B1R	2PCS	 D	2PCS
 B2	1PC	 E	2PCS
 B3	1PC	 F1L F1R	2PCS
 B4	2PCS	 F2	1PC

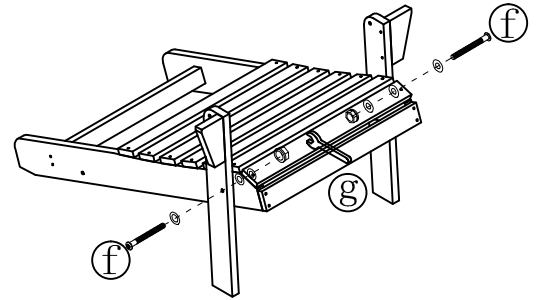
a	 3.5*30	4PCS	1	  
b	 3.5*35	50PCS		
c	 3.5*40	8PCS		
d	 3.5*50	8PCS		
e	 M6*40	4PCS		
f	 M6*55	6PCS		
g		1PC		



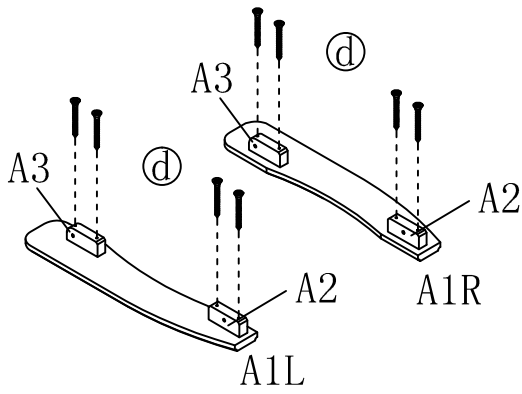
5



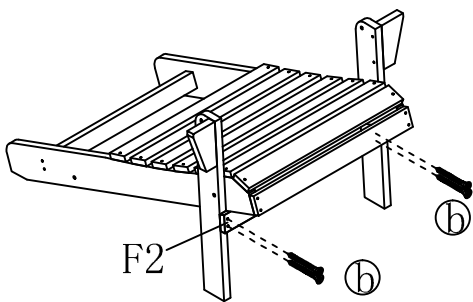
7



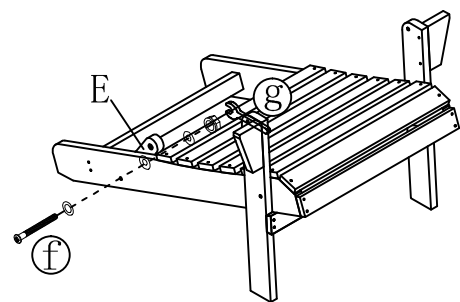
6



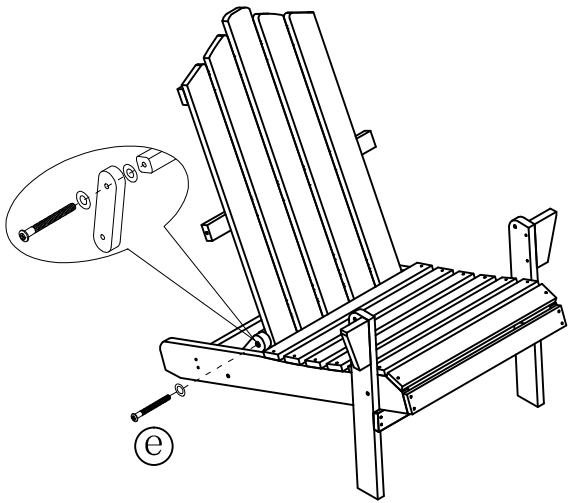
8



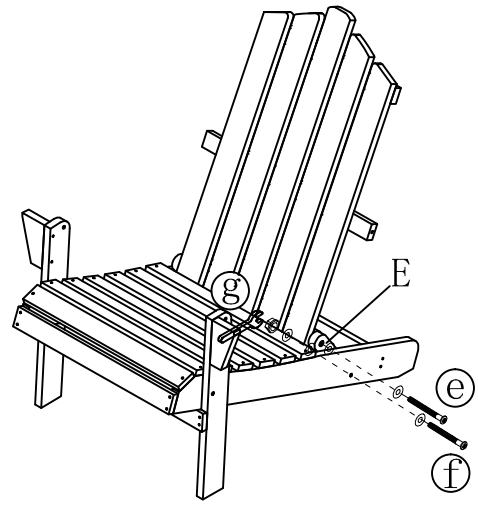
9



10



11



12

