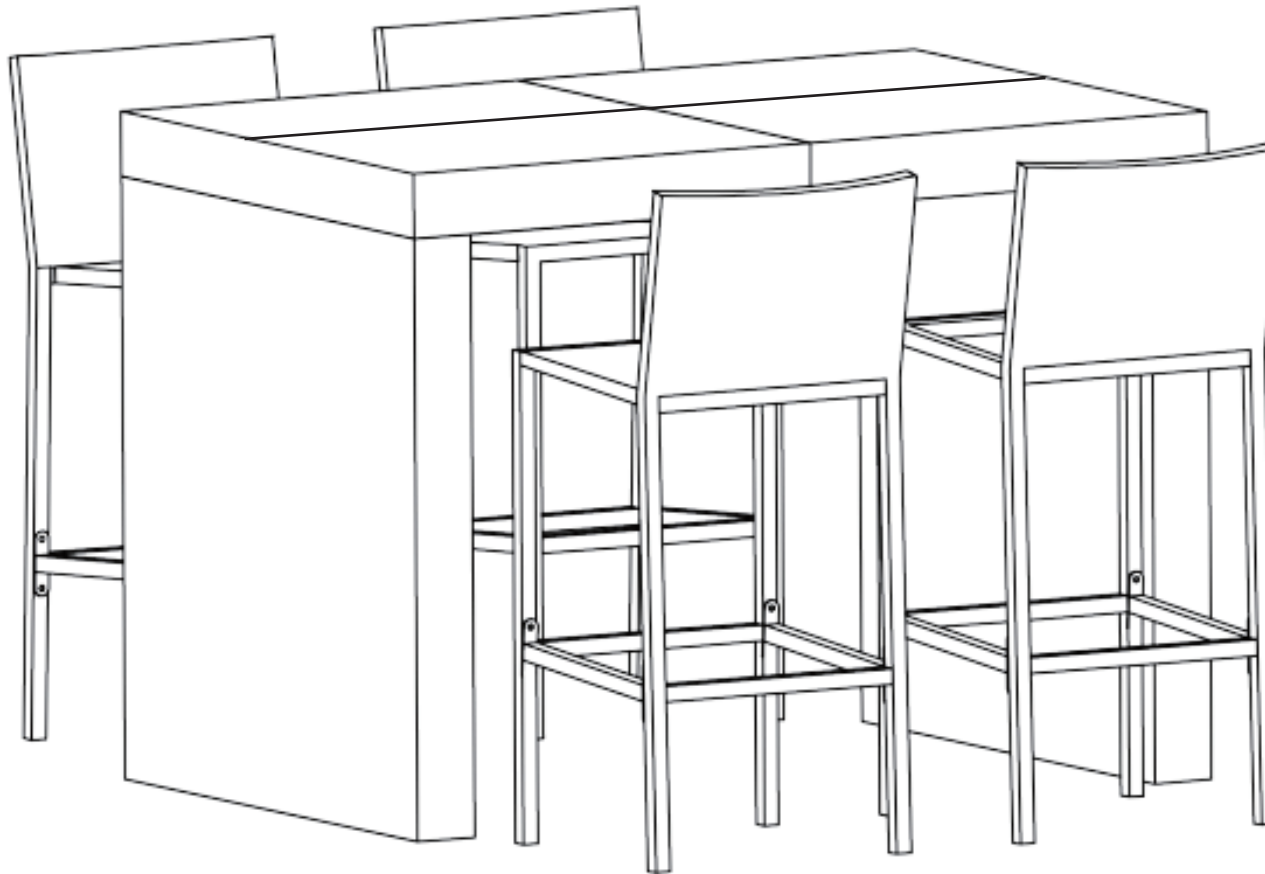











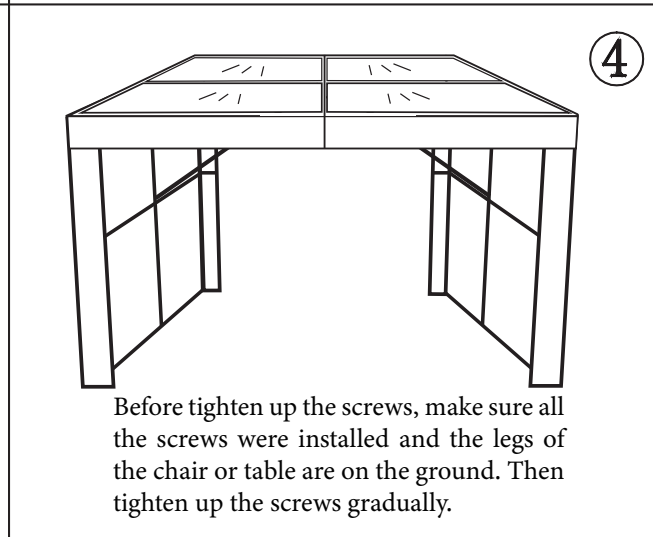
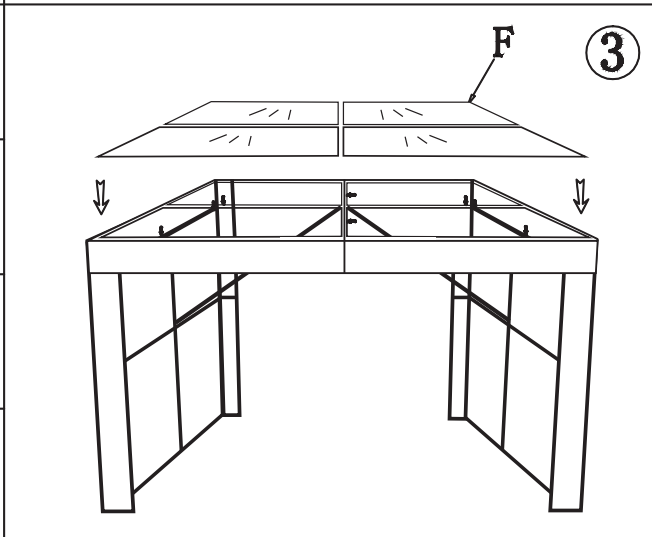
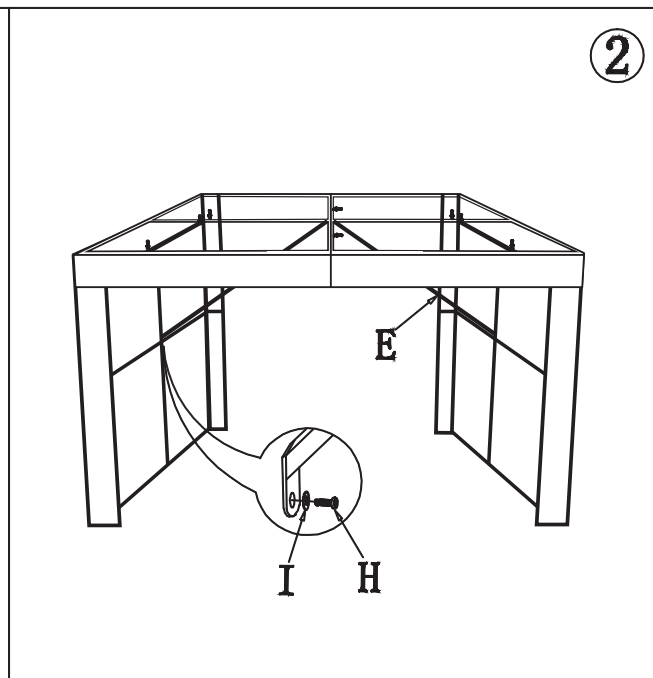
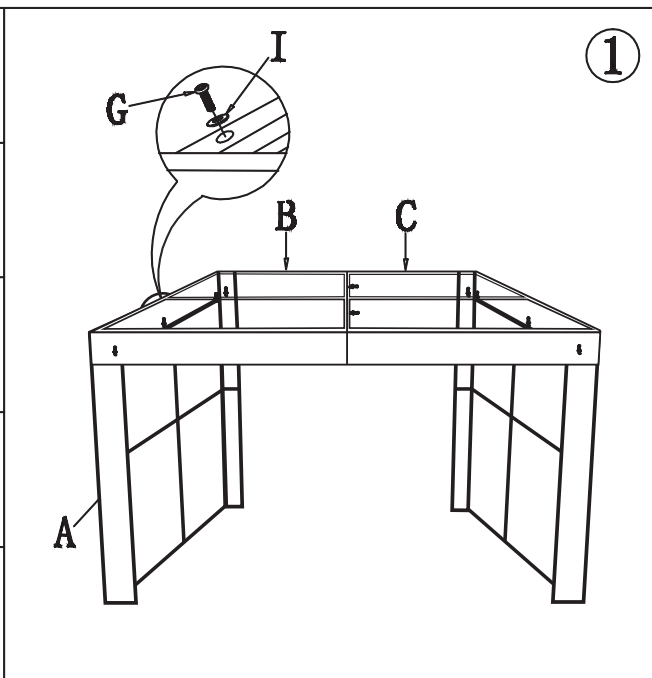
ASSEMBLY INSTRUCTIONS

FF-BARSET-BACK-BK-5


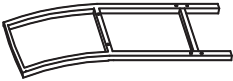
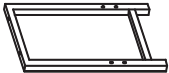





Before tighten up the screws, make sure all the screws were installed and the legs of the chair or table are on the ground. Then tighten up the screws gradually.



A		2 PCS
B		1 PC
C		1 PC
D		1 PC
E		2 PCS
F		4 PCS
G	 M6*35 mm	12 PCS
H	 M6*15 mm	4 PCS
I		16 PCS



Before tighten up the screws, make sure all the screws were installed and the legs of the chair or table are on the ground. Then tighten up the screws gradually.

A		4 PCS
B		4 PCS
C		4 PCS
D		8 PCS
E	 M6*35 mm	16 PCS
F	 M6*15 mm	32 PCS
G		48 PCS
H		1 PC

